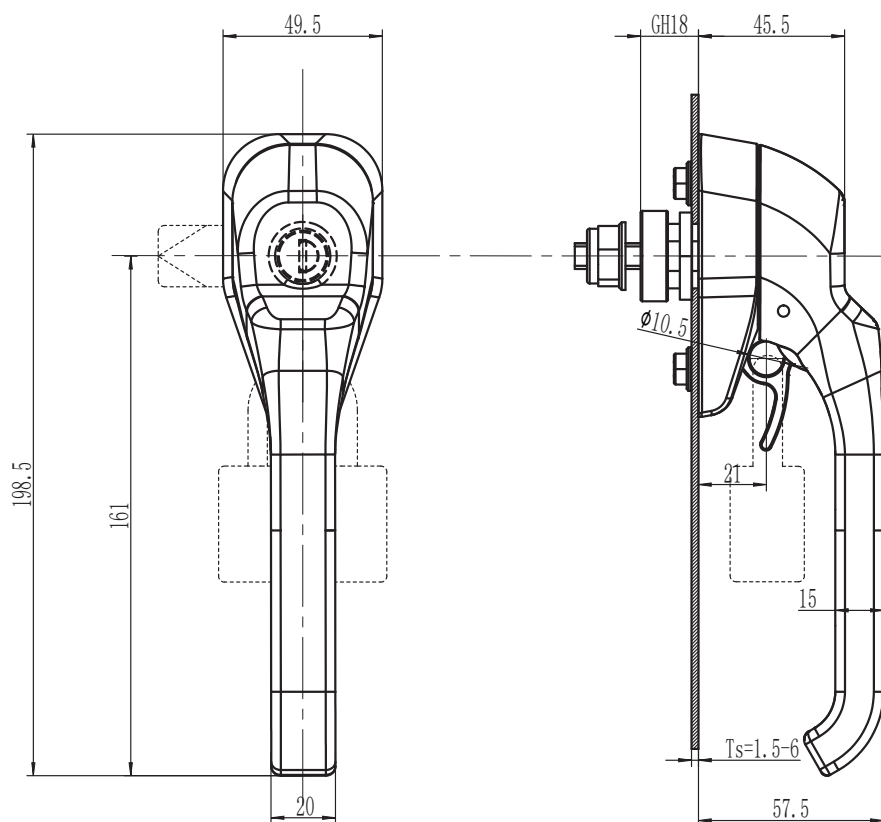


B-1413

L handle lock



CUT OUT 开孔尺寸

RL

IP65

S  
SERIES



WWW.FORNDLOCK.COM

1. Material and surface treatment:  
Lock body, handle: Zamak DIN-EN 1774-ZnAl4Cu1 or SUS304  
Steel bolt: iron galvanized or SUS304  
Sealing ring: EPDM foam

2. Performance parameters:  
Protection class: IP65

3. Remarks:  
Key different on request  
Stainless steel Padlockable on request  
Default Keyed K333

1.材质及表面处理:  
锁体, 手柄: 5#锌合金 SUS304  
钢栓: 铁镀锌或 SUS304  
密封圈: EPDM发泡胶。

2.性能参数: 防护等级: IP65

3.备注:  
专用钥匙可选  
配不锈钢挂锁  
默认 CH751 钥匙

	锌合金 Zinc alloy	不锈钢 316 SUS316
	麻面黑 Black Textured Powder Coated	
无钥匙锁 Non-locking	B-1413-100-40	B-1413-100-A2
K333 钥匙锁定 K333 key locking	B-1413-110-40	B-1413-110-A2
2x4 直槽型 2x4 slot	B-1413-024-40	B-1413-024-A2