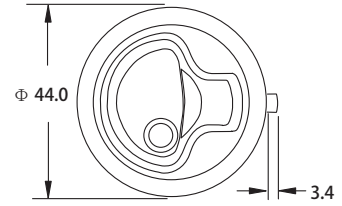


## Marine latch

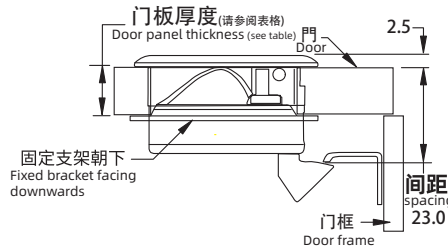
## B-1501

IP40

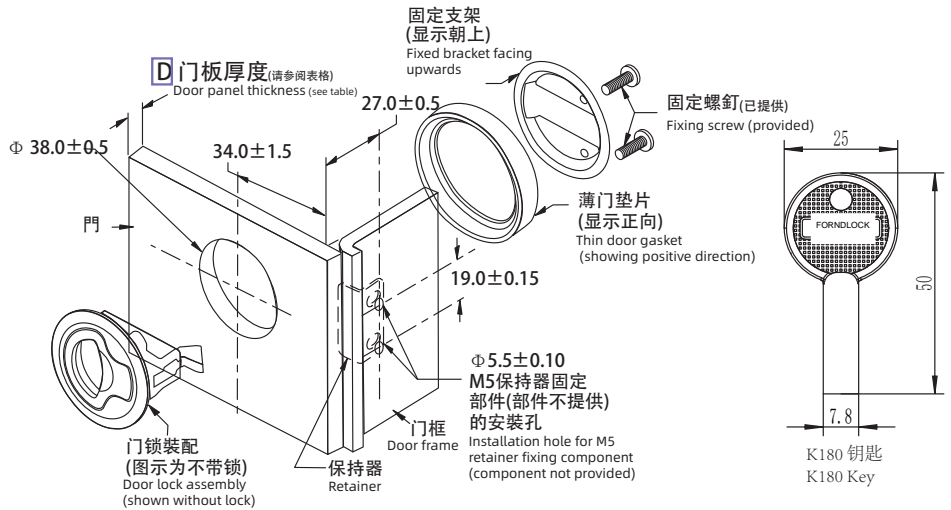
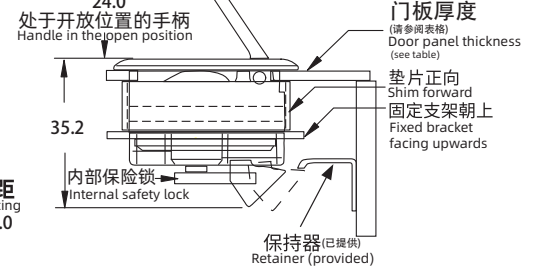
STAINLESS  
SERIES



### 不带锁 Non-lock



### 带锁 With lock



WWW.FORNDLOCK.COM

如需获得产品3D模型图，请联系

1. Material and surface treatment:  
Lock body, handle, dust cover : Zamak  
DIN-EN 1774-ZnAl4Cu1 or SUS316  
Steel bolt: iron galvanized or SUS316

2. Performance parameters:  
Protection class: IP40  
Maximum static load: 545N

3. Remarks:  
Default Keyed K180

1. 材质及表面处理:  
锁体, 手柄, 防尘盖 5#锌合金或 SUS316  
螺栓: 铁镀锌或 SUS316

2. 性能参数:  
防护等级: IP40  
最大静载荷: 545N

3. 备注:  
默认 K180 钥匙

门板厚度 Door thickness	垫片的方向 Direction of the gasket	固定支架的方向 Fix the orientation of the support
1.0 - 7.0	正向 Forward direction	朝上 upturn
7.0 - 13.0	(不需要) (Not needed)	朝上 upturn
13.0 - 19.0	(不需要) (Not needed)	朝下 adder

	锌合金 Zinc alloy 亮铬 Bright Chrom	SUS316
工具锁定 Tool locking	B-1501-10-30	B-1501-10-A2
无钥匙锁 Non-locking	B-1501-20-30	B-1501-20-A2