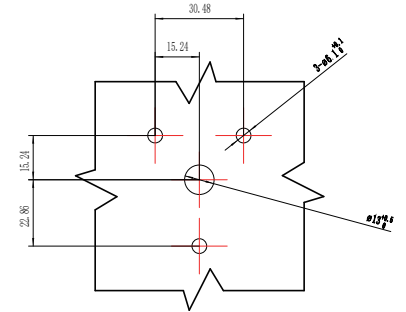
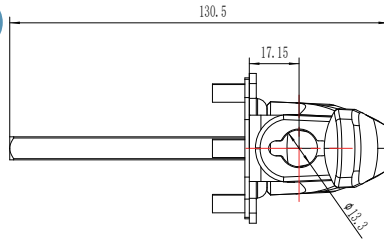


L handle lock

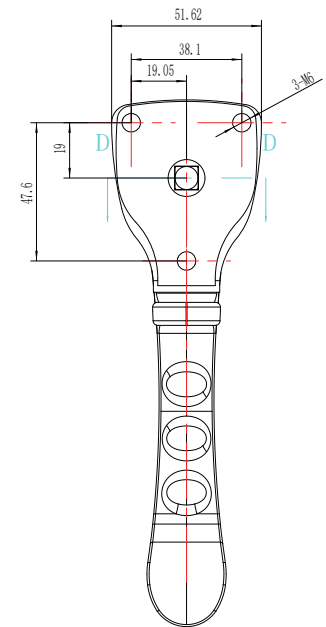
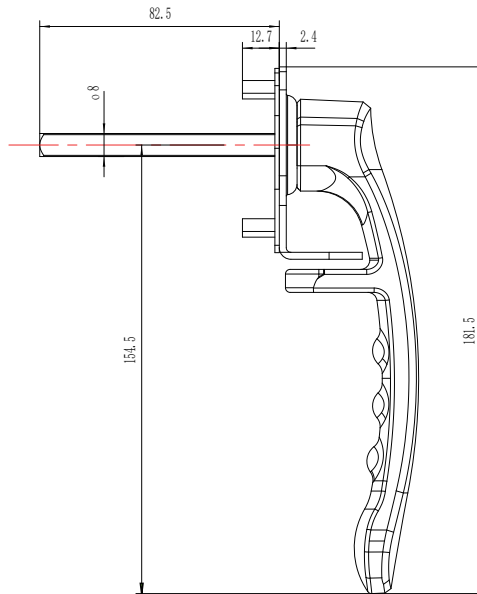
B-1115

IP65

RL



COT OUT (开孔尺寸)



WWW.FORNDLOCK.COM

如需获得产品3D模型图，请联系

1. Material and surface treatment:
Lock body, handler : SUS304 / SUS316
Steel bolt: SUS304 / SUS316
Sealing ring: EPDM foam.

2. Performance parameters:
Protection class: IP65

1. 材质及表面处理:
锁体, 手柄: SUS304 / SUS316
钢栓: SUS304 / SUS316
密封圈: EPDM发泡胶

2. 性能参数: 防护等级: IP65

不锈钢 Stainless steel	
SUS304	B-1115-A1
SUS316	B-1115-A2