

L handle lock

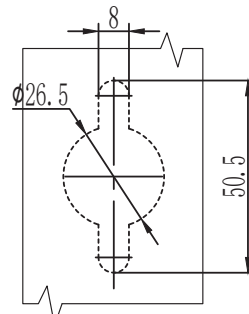
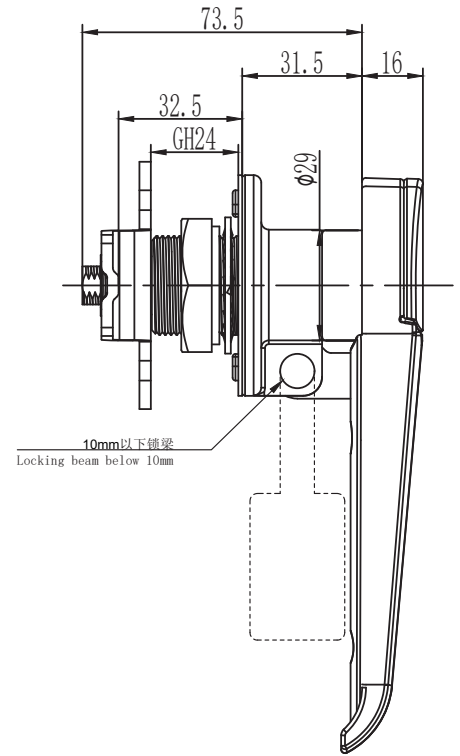
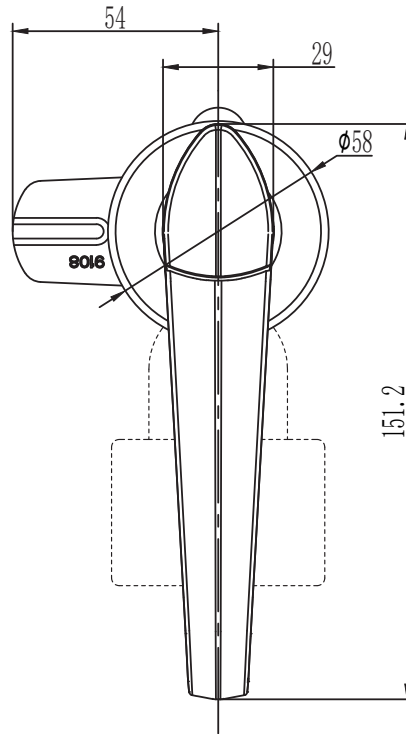
B-1307



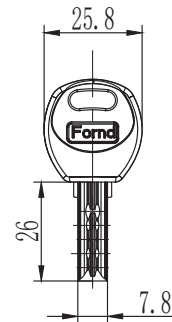
IP65

RL

SERIES



CUT OUT
开孔尺寸



K0500 钥匙
Key K0500

如需获得产品3D模型图，请联系 WWW.FORNDLOCK.COM

1. Material and surface treatment:
Lock body, handler, dust cover: Zamak
DIN-EN 1774-ZnAl4Cu1 or SUS304
Steel bolt: iron galvanized or SUS304
Sealing ring: EPDM foam.

2. Performance parameters:
Protection class: IP65

3. Remarks:
Optional dedicated key

1. 材质及表面处理:
锁体, 手柄, 防尘盖: 5#锌合金或 SUS304
钢栓: 铁镀锌或 SUS304
密封圈: EPDM发泡胶。

2. 性能参数: 防护等级: IP65

3. 备注:
专用钥匙可选

	锌合金, 亮铬 Zinc Bright Chrom	SUS304
K200 钥匙锁定 K200 keylocking	B-1307-11-30	
K0500 钥匙锁定 K0500 keylocking		B-1307-10-A1