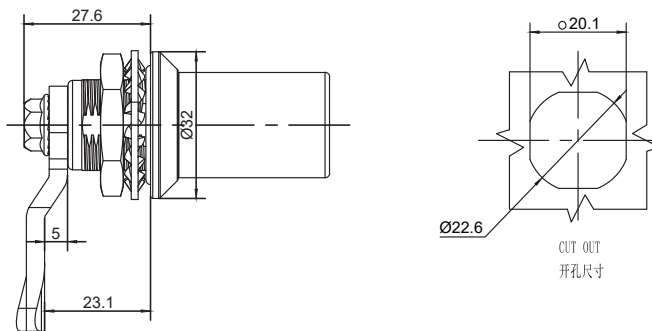
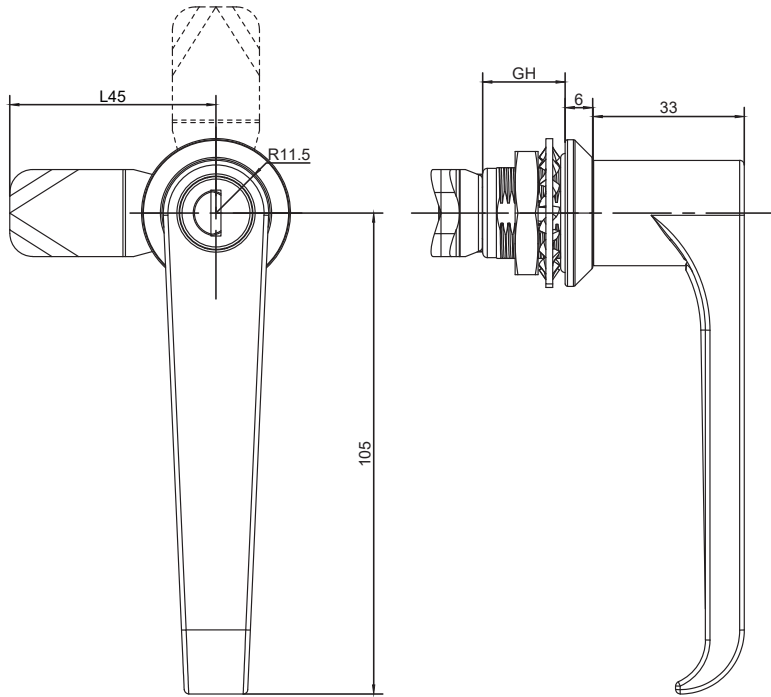


B-1310

L handle lock



RL

IP65

S  
SUS304  
SERIES



选型 Model selection

0 代表无锁芯  
0 Non-locking  
1 代表有锁芯  
1 key locking

18 代表锁体 GH 锁体高度, 18/30/40/50/60  
18 represents the height of the lock body GH  
18/30/40/50/60

A1 SUS304  
30 电镀铬  
30 Electrochrome plating  
40 粉末涂层黑  
40 Powder coated black

**B-1310-118-LH-A1**

L 代表钢柱长度  
L represents the length of the steel bolt  
H 代表有效高度  
H represents effective height

1. Material and surface treatment:  
Lock body, handler : Zinc alloy powder coated black, electrochrome plating  
Steel bolt: iron galvanized or SUS304  
Sealing ring: EPDM foam.

2. Performance parameters:  
Protection class: IP65

3. Remarks:  
Optional dedicated key  
Default K333 key

1. 材质及表面处理:  
锁体, 手柄: 锌合金粉末涂层黑, 电镀铬  
钢栓: 铁镀锌或 SUS304  
密封圈: EPDM发泡胶。

2. 性能参数: 防护等级: IP65

3. 备注:  
专用钥匙可选  
默认 K333 钥匙