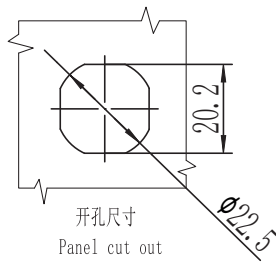
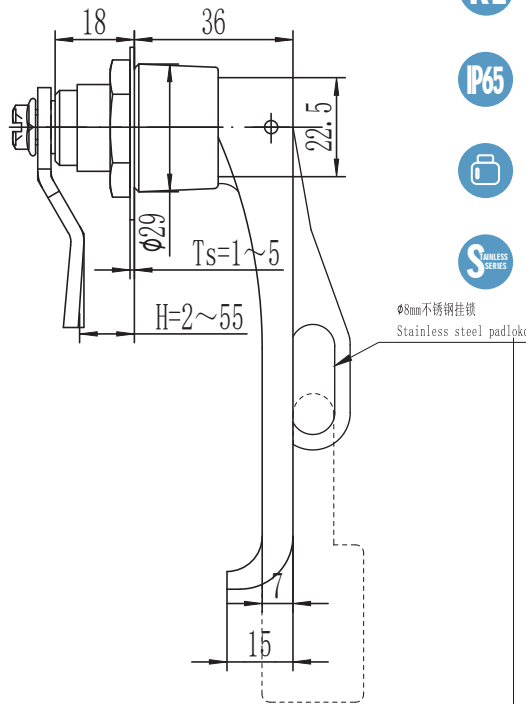
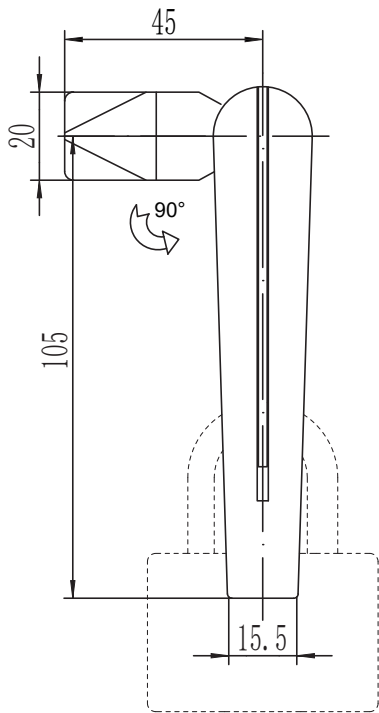


B-1312

L handle lock



RL

IP65



S
SAINLESS
SERIES



选型 Model selection

B-1312-LH-A1

- A1 SUS304
- 30 电镀铬
- 30 Electrochrome plating
- 40 粉末涂层黑
- 40 Powder coated black

L 代表钢栓长度
L represents the length of the steel bolt
H 代表有效高度
H represents effective height

1. Material and surface treatment:
Lock body, handler: Zamak DIN-EN 1774-ZnAl4Cu1 or SUS304
Steel bolt: iron galvanized or SUS304
Sealing ring: EPDM foam

2. Performance parameters:
Protection class: IP65

3. Remarks:
Stainless steel Padlockable on request

1. 材质及表面处理:
锁体, 手柄: 5# 锌合金 SUS304
钢栓: 铁镀锌或 SUS304
密封圈: EPDM 发泡胶。

2. 性能参数: 防护等级: IP65

3. 备注:
配不锈钢挂锁