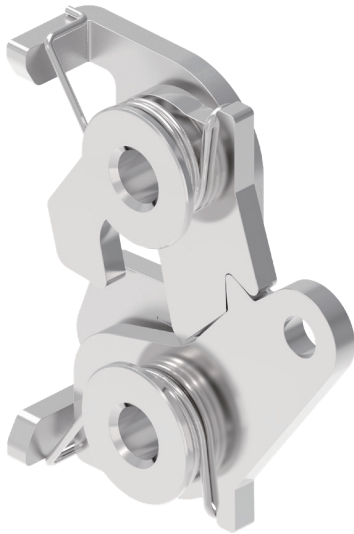
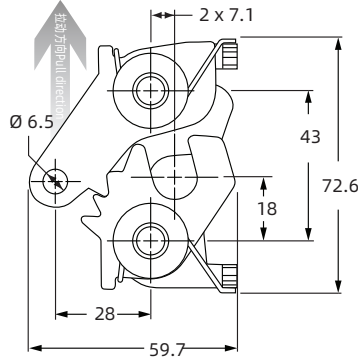


Rotary latch

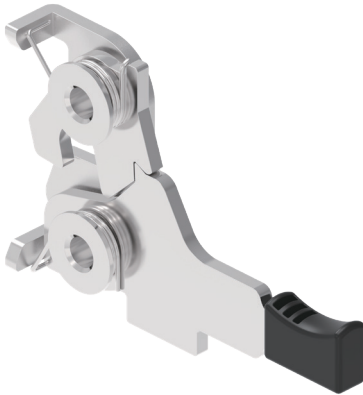
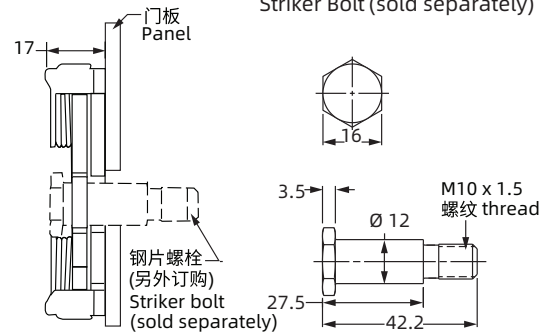
I-3003



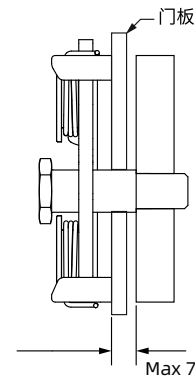
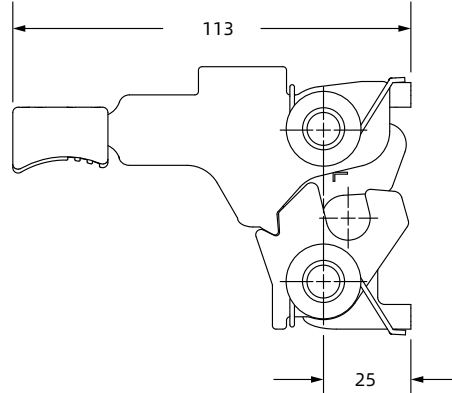
远程驱动 (图示为左侧双极型)
Remote Actuation
(left hand, two stage version shown)



钢片螺栓 (另外订购)
Striker Bolt (sold separately)



手动驱动 (图示为左侧单极型)
Hand Actuation (left hand, single stage version shown)



选型 Model selection

1. 单级, 左侧 Single stage, Left side
2. 单级, 右侧 Single stage, Right side
3. 双极, 左侧 Double stage, Left side
4. 双极, 右侧 Double stage, Right side

1. 手动驱动 Manual drive
2. 底部 Bottom

3003-SI-B0-10

1. Ø8.3 通孔 Through-hole
2. 5/16-18 螺纹 Screw thread
3. M8x1.25 螺纹 Screw thread

10. 碳钢镀锌 Carbon steel galvanized A1.SUS304

1. Material and surface treatment:
Main body: Carbon steel galvanized or SUS304

1. 材质及表面处理:
主体: 碳钢镀锌或 SUS304

如需获得产品 3D 模型图, 请联系 WWW.FORNDLOCK.COM