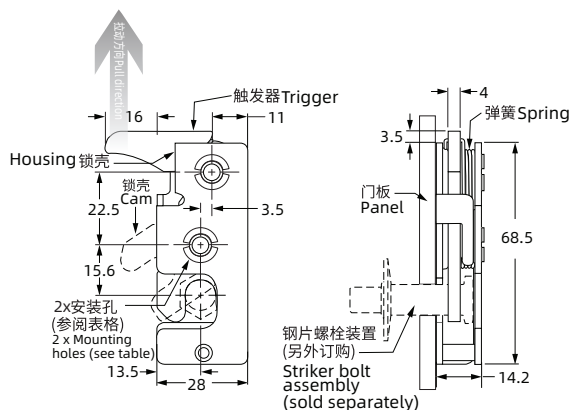


I-3005

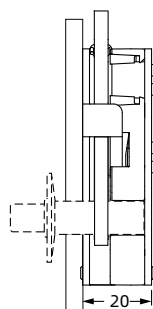
Rotary latch



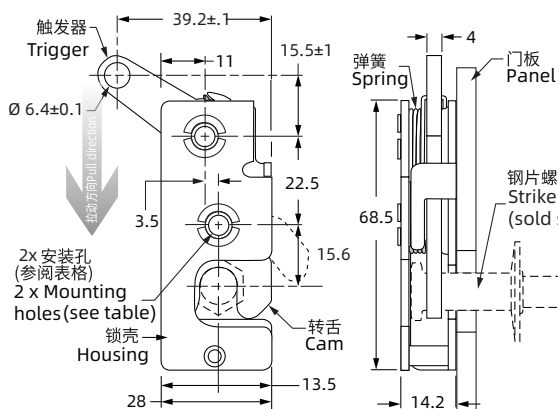
单级 - 手动驱动装置
Single Stage - Hand Actuation



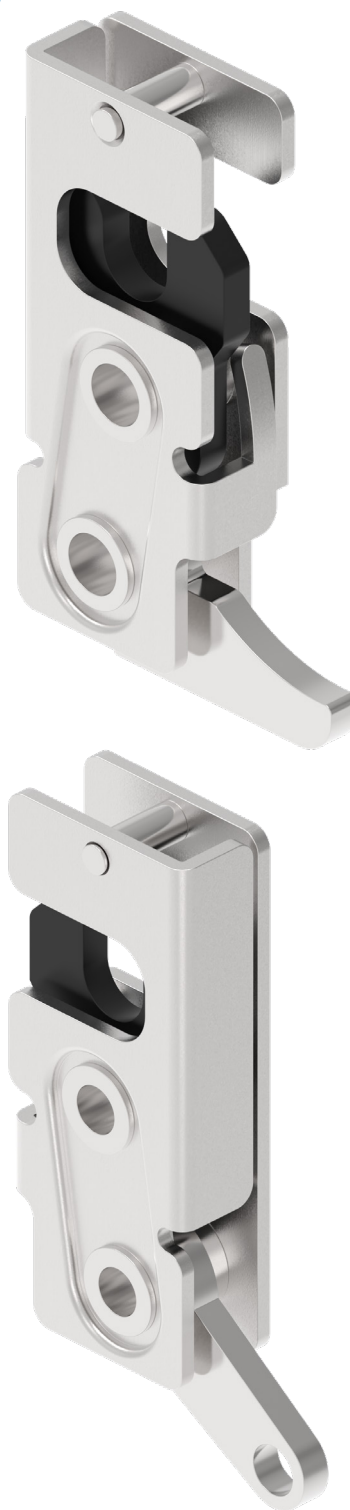
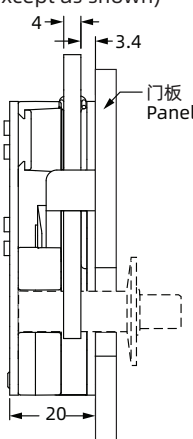
带减震器型号
(尺寸同标准版本, 下图所示除外)
Integrated Bumper Version
(dimensions same as standard version except as shown)



单级 - 底部 (图示为左侧驱动装置)
Single Stage - Bottom
(left hand actuation shown)



带减震器的型号
(尺寸同标准版本, 下图所示除外)
Integrated Bumper Version
(dimensions same as standard version except as shown)



WWW.FORNDLOCK.COM 如需获得产品 3D 模型图, 请联系

选型 Model selection

1. 单级, 左侧 Single stage, Left side
2. 单级, 右侧 Single stage, Right side
3. 双级, 左侧 Double stage, Left side
4. 双级, 右侧 Double stage, Right side
5. 垂直驱动 Vertical drive
6. 两点驱动 Two-point drive
7. 直接驱动 Direct drive
8. 双触发, 垂直 / 底部驱动 Dual trigger, vertical / bottom drive
9. 双触发, 垂直 / 顶部 Dual trigger, vertical / top drive

3005-SI-BL-10

1. $\Phi 7.2$ 通孔 Through-hole
2. 1/4-20 螺纹 Screw thread
3. M6x1 螺纹 Screw thread

10. 碳钢镀锌 Galvanized iron
A1.SUS304

1. 标准 Standard
2. 带减震器型号 With shock absorber

1. Material and surface treatment:
Main body: Carbon steel galvanized or SUS304

1. 材质及表面处理:
主体: 碳钢镀锌或 SUS304