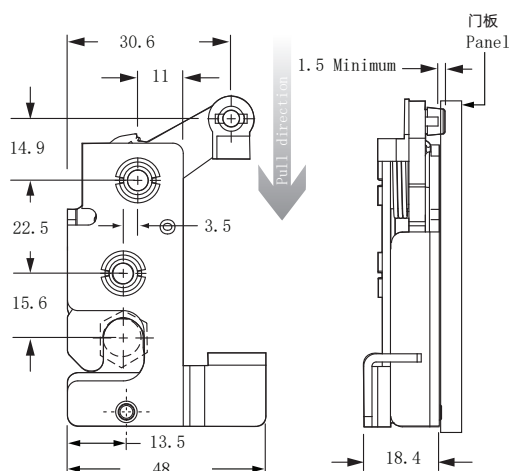


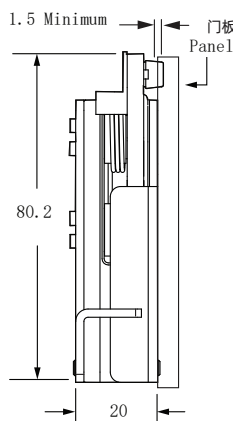
I-3006

Rotary latch

单级 - 底部(图示为左侧驱动装置)
Single Stage - Bottom
(left hand actuation shown)



带减震器的型号
(尺寸同标准版本, 下图所示除外)
Integrated Bumper Versio
(dimensions same as standard
version except as shown)



如需获得产品 3D 模型图，请联系 WWW.FORNDLOCK.COM

选型 Model selection

1. 单级, 左侧 Single stage, Left side
2. 单级, 右侧 Single stage, Right side
3. 双级, 左侧 Double stage, Left side
4. 双级, 右侧 Double stage, Right side

3006-SI-BL-10

1. $\Phi 7.2$ 通孔 Through-hole
2. 1/4-20 螺纹 Screw thread
3. M6x1 螺纹 Screw thread

1. 底部驱动 Bottom drive

10. 碳钢镀锌 Galvanized iron
A1.SUS304

1. 标配线缆支架 Cable support is standard
2. 带线缆支架的减震器 Shock absorber with cable support

1. Material and surface treatment:
Main body: Carbon steel galvanized or
SUS304

1. 材质及表面处理:
主体: 碳钢镀锌或 SUS304