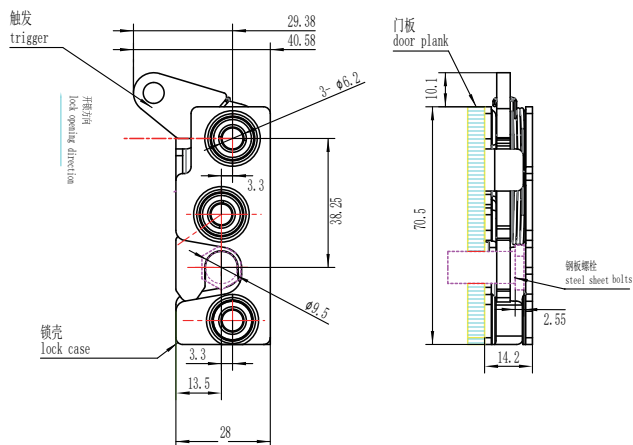


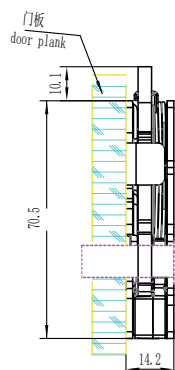
I-3009

Rotary latch

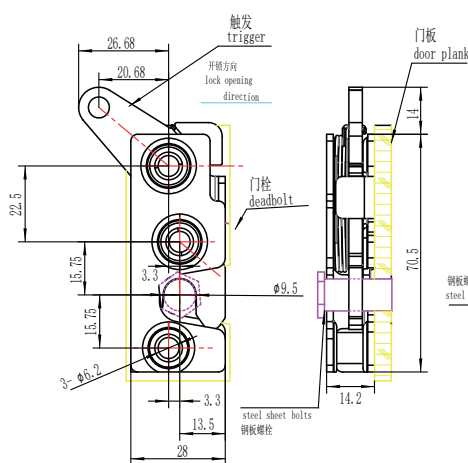
单级-左侧 顶部驱动
Single stage-Left side Top drive



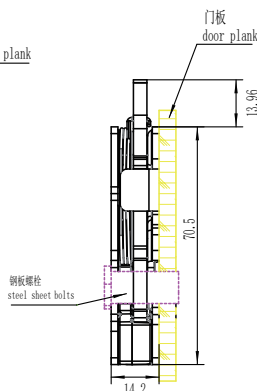
带减震器型号
Integrated Bumper Version



单级-左侧 底部驱动
Single stage-Left side
Bottom drive



带减震器型号
Integrated Bumper Version



如需获得产品 3D 模型图，请联系 WWW.FORNDLOCK.COM

选型 Model selection

1. 单级，左侧 Single stage, Left side
2. 单级，右侧 Single stage, Right side
3. 双极，左侧 Double stage, Left side
4. 双极，右侧 Double stage, Right side
1. 顶部驱动 Top drive
2. 底部驱动 Bottom drive
3. 垂直驱动 Vertical drive
4. 直列驱动 Inline drive
5. 把手型驱动 Handle drive

3009-SI-BL-10

10. 碳钢镀锌 Galvanized iron
A1.SUS304

1. $\Phi 6.2$ 通孔 Through-hole
2. 1/4-20 螺纹 Screw thread
3. M6x1 螺纹 Screw thread

1. 标准 Standard
2. 带减震器型号 With shock absorber

1. Material and surface treatment:
Main body: Carbon steel galvanized or
SUS304

1. 材质及表面处理:
主体: 碳钢镀锌或 SUS304